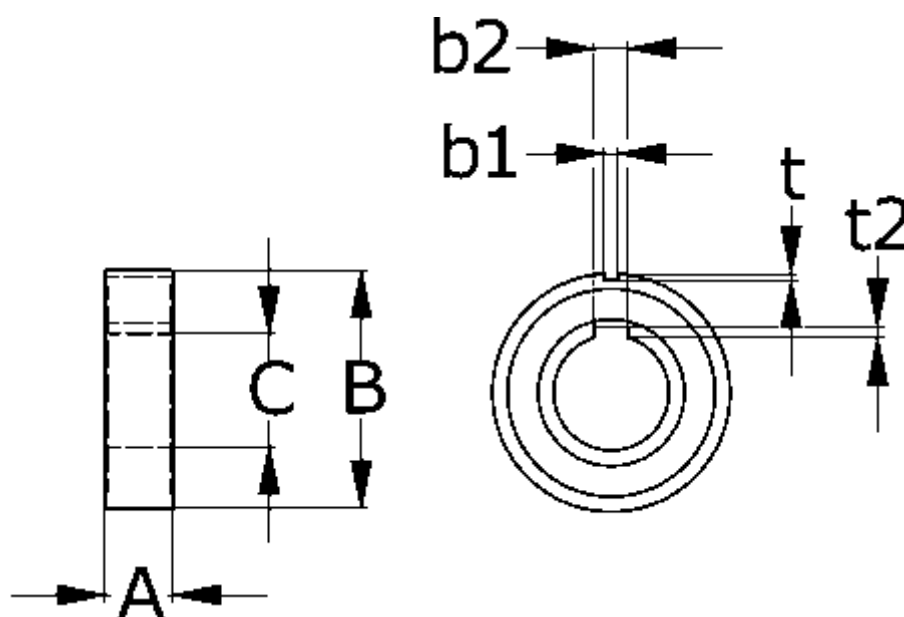


Article number: 5798012003

Description: Tsubaki Cam clutch bearing BB20-2K-K (6204)  
d=20 D=47 T=14, with keyway on inner & outer race steel sealed

## Measures



A	= 14
B	= 47
b1	= 3
b2	= 6
C	= 20
t1	= 1.5
t2	= 1.6
Torque (Nm)	= 61